

ARRIS.cast



Cast Stone Products Guide

# Notes

ABBREVIATION LEGEND	
BN	Bullnose
BNS	Bullnose Sill
WT	Watertable
SL	Sill
LUG	Lug Sill
RT	Return Corner Right
LT	Return Corner Left
CHAM	Chamfer
WC	Wall Cap
CAP	Pier Cap
QN	Quoin
STR	Stretcher Unit
FIN	Finished End Units

## Shapes and Sizes

In addition to the products illustrated in this guide, ARRIS.cast Units can be fabricated in various custom shapes and sizes to suit project requirements.

## Colors and Finishes

ARRIS.cast Units are available with a fine-grained smooth texture similar to that of smooth Renaissance® Masonry Units or dressed quarried stone. ARRIS.cast units are available to complement all standard Renaissance® colors (Fort Valley, GA and Cambridge, ON plant). Custom colors are available.

## General Notes

**Finished faces are indicated on the section drawings by a bold line.**

Certain applications may require an engineered anchoring system for support. Refer to Arriscraft.NOTE series Connectors, Part I and II.

ARRIS.cast units must be installed using industry recommended materials and techniques that conform to all related building code requirements.

Proper care, installation and cleaning are required for warranty validation.

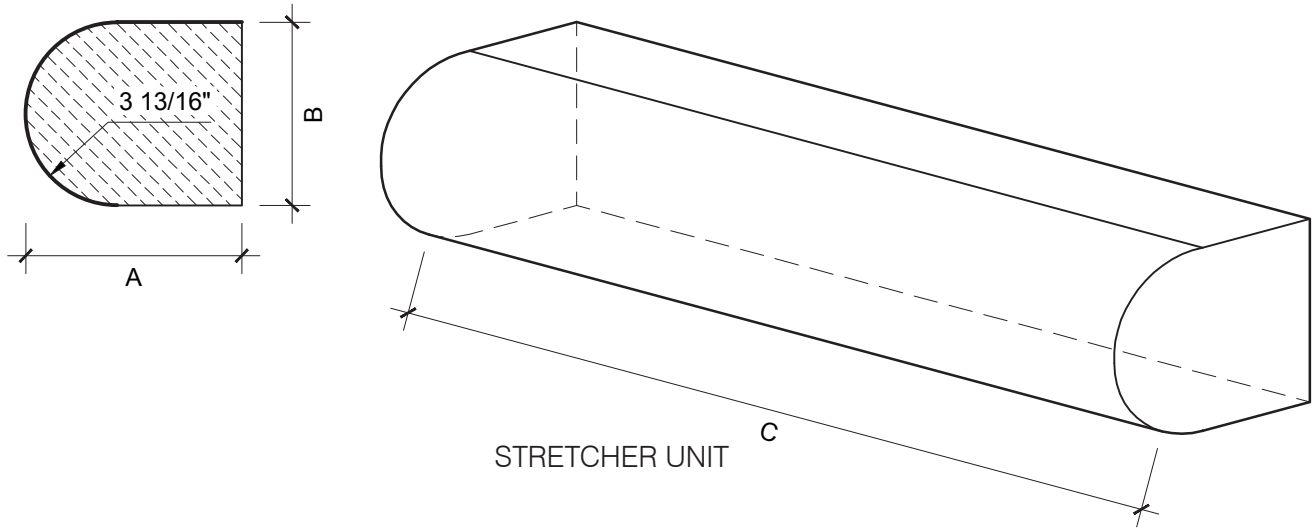
For applicable tolerances and further information, refer to **Arriscraft.DATA 04720** for ARRIS.cast Units.

# Table of Contents

	Page
BULLNOSE	5
RIGHT BULLNOSE RETURNS	6
LEFT BULLNOSE RETURNS	7
BULLNOSE SILLS	8
RIGHT BULLNOSE SILL RETURNS	9
LEFT BULLNOSE SILL RETURNS	10
LUGGED SILLS	11
RIGHT LUGGED SILL ENDS	12
LEFT LUGGED SILL ENDS	13
DOUBLE SLOPED WALL CAPS	14
SINGLE SLOPED WALL CAPS	15
PIER CAPS	16
SILLS	17 - 21
WATERTABLES	22 - 26
STRETCHERS	27
STRETCHER FINISHED END UNIT	27
QUOINS	28
CHAMFERS	28
RIGHT CHAMFER RETURNS	29
LEFT CHAMFER RETURNS	29

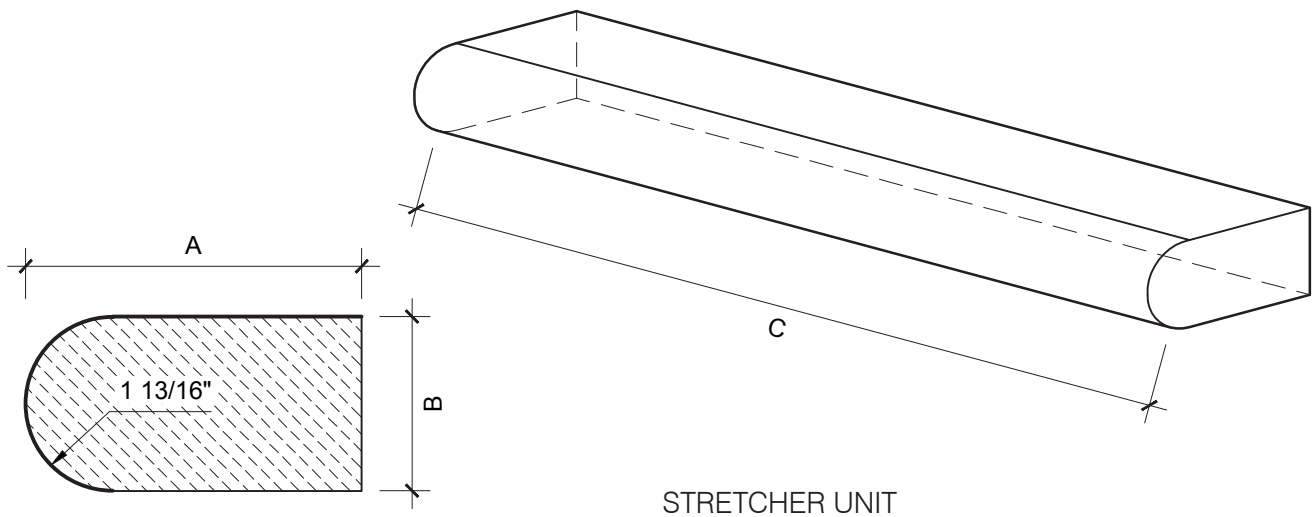
# Bullnose

PC. MK	A	B	C
BN72	9"	7 - 5/8"	23 - 5/8"
BN73	9"	7 - 5/8"	31 - 5/8"
BN74	9"	7 - 5/8"	47 - 5/8"



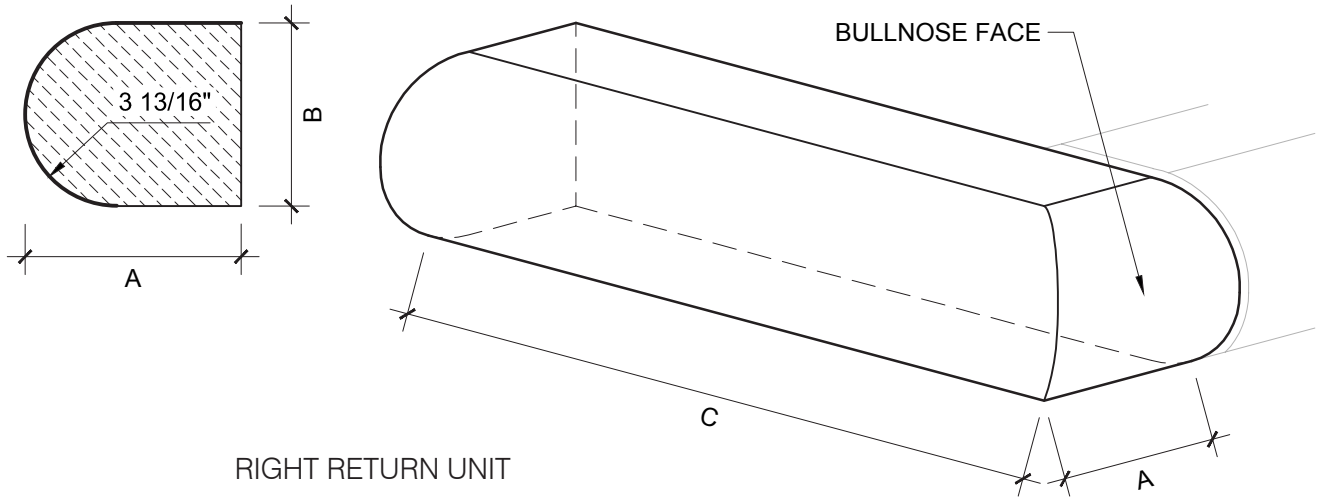
# Bullnose

PC. MK	A	B	C
BN33	7"	3 - 5/8"	31 - 5/8"
BN34	7"	3 - 5/8"	47 - 5/8"



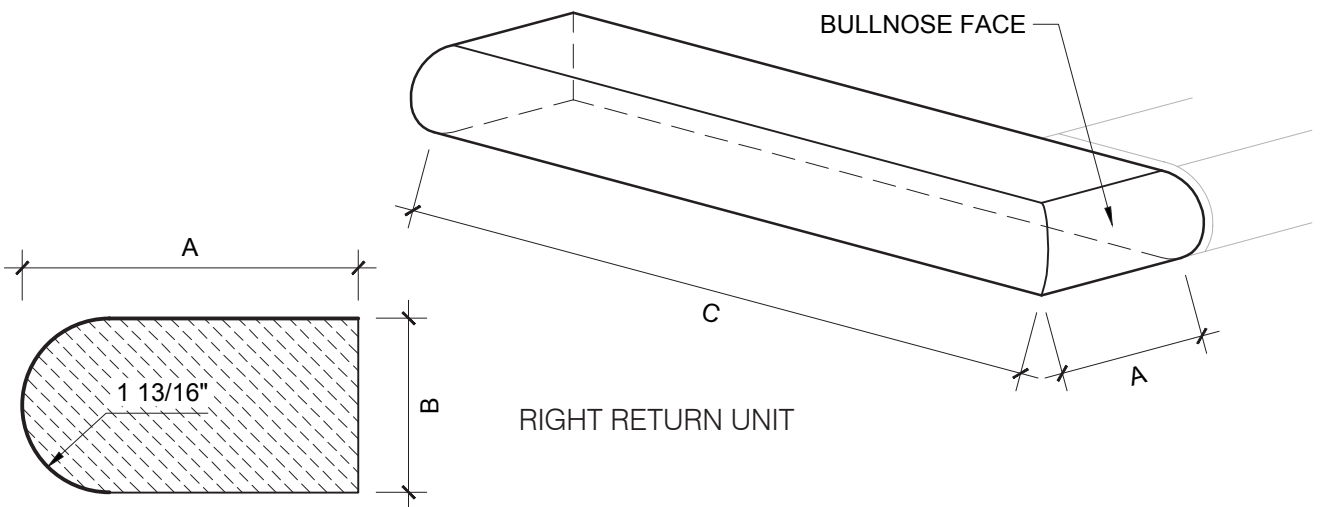
# Right Bullnose Returns

PC. MK	A	B	C
BN RT 72	9"	7 - 5/8"	23 - 5/8"
BN RT 73	9"	7 - 5/8"	31 - 5/8"
BN RT 74	9"	7 - 5/8"	47 - 5/8"



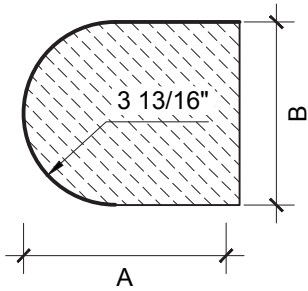
# Right Bullnose Returns

PC. MK	A	B	C
BN RT 33	7"	3 - 5/8"	31 - 5/8"
BN RT 34	7"	3 - 5/8"	47 - 5/8"

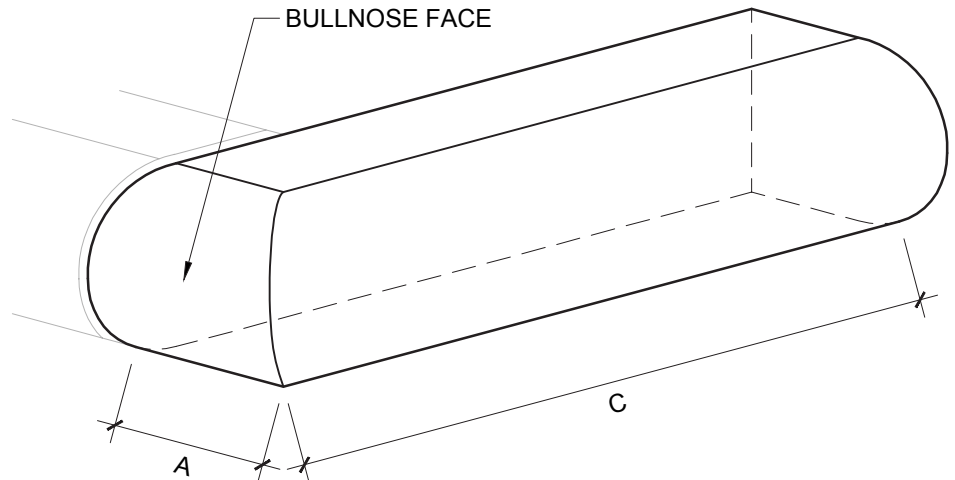


# Left Bullnose Returns

PC. MK	A	B	C
BN LT 72	9"	7 - 5/8"	23 - 5/8"
BN LT 73	9"	7 - 5/8"	31 - 5/8"
BN LT 74	9"	7 - 5/8"	47 - 5/8"

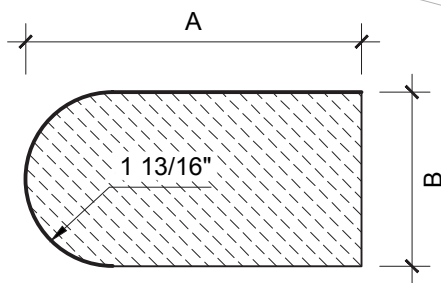


LEFT RETURN UNIT

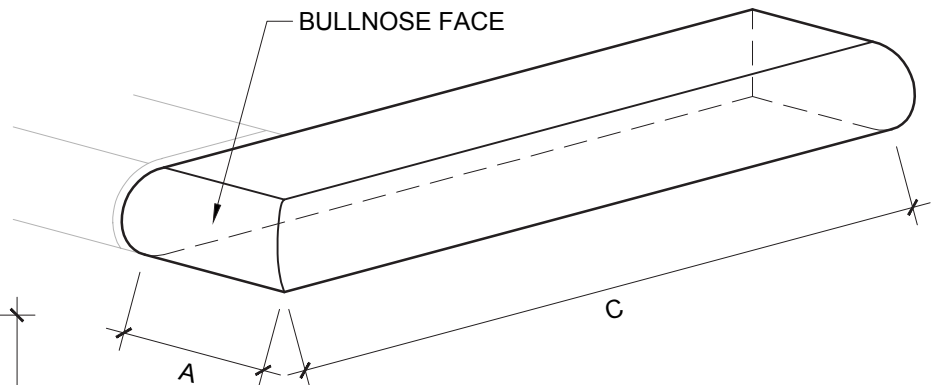


# Left Bullnose Returns

PC. MK	A	B	C
BN LT 73	7"	3 - 5/8"	31 - 5/8"
BN LT 74	7"	3 - 5/8"	47 - 5/8"

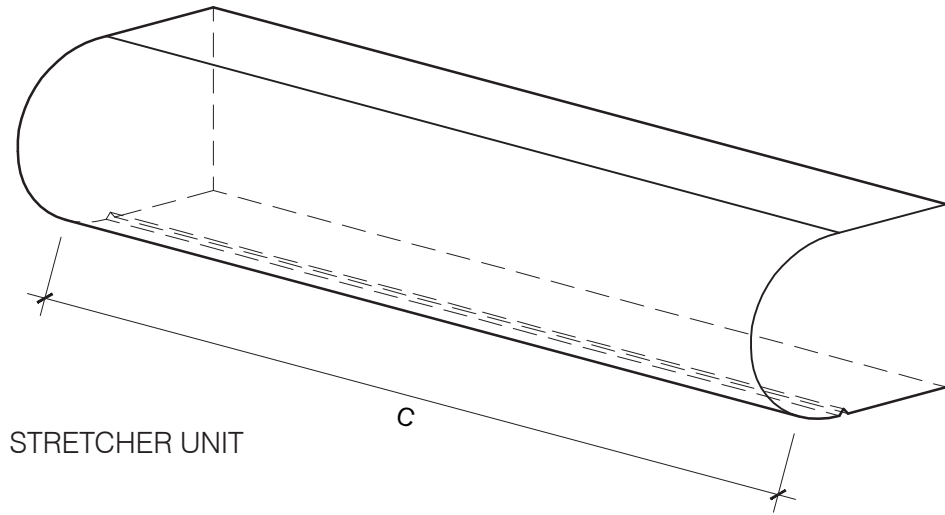
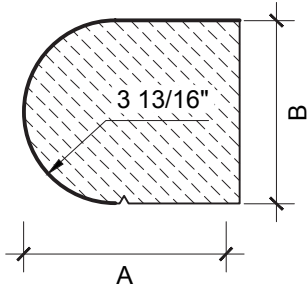


LEFT RETURN UNIT



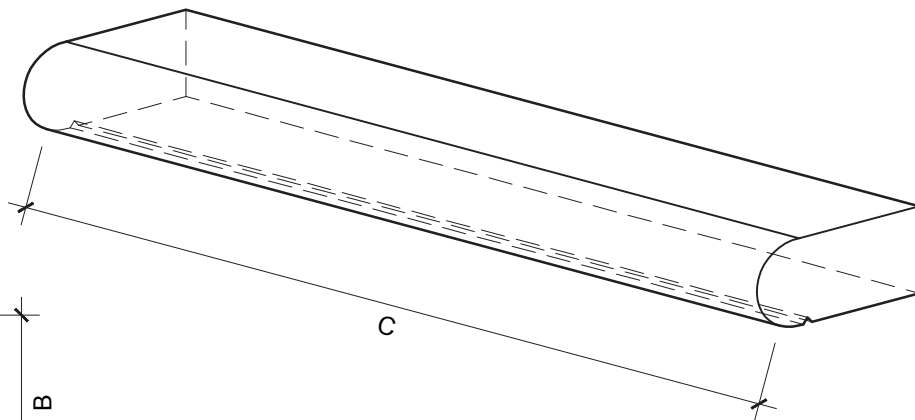
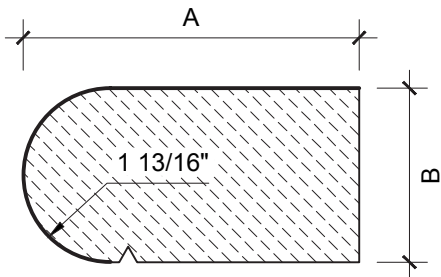
# Bullnose Sills

PC. MK	A	B	C
BNS72	9"	7 - 5/8"	23 - 5/8"
BNS73	9"	7 - 5/8"	31 - 5/8"
BNS74	9"	7 - 5/8"	47 - 5/8"



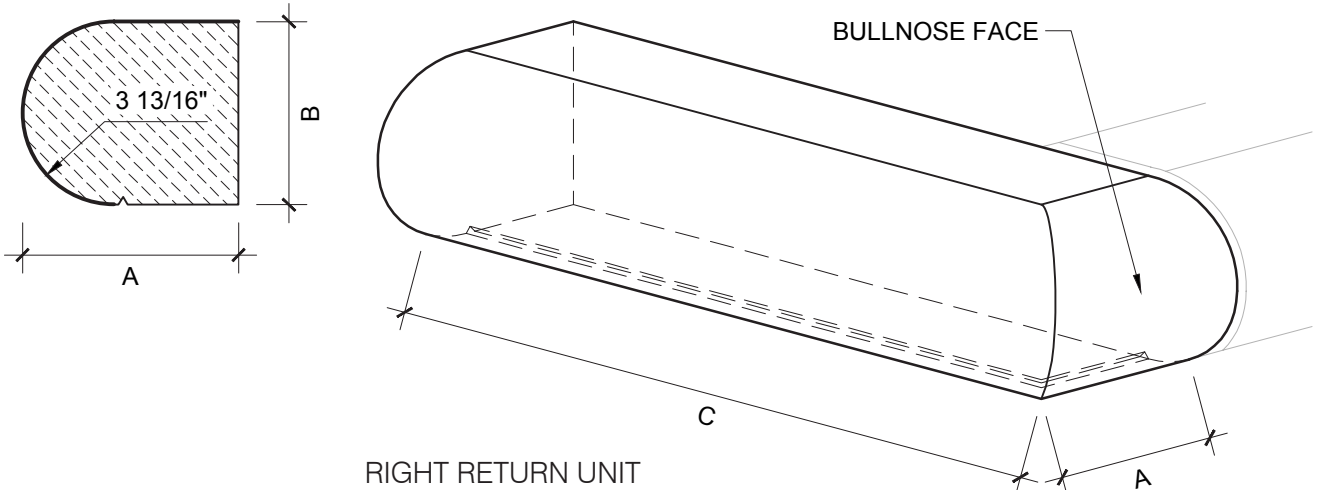
# Bullnose Sills

PC. MK	A	B	C
BNS33	7"	3 - 5/8"	31 - 5/8"
BNS34	7"	3 - 5/8"	47 - 5/8"



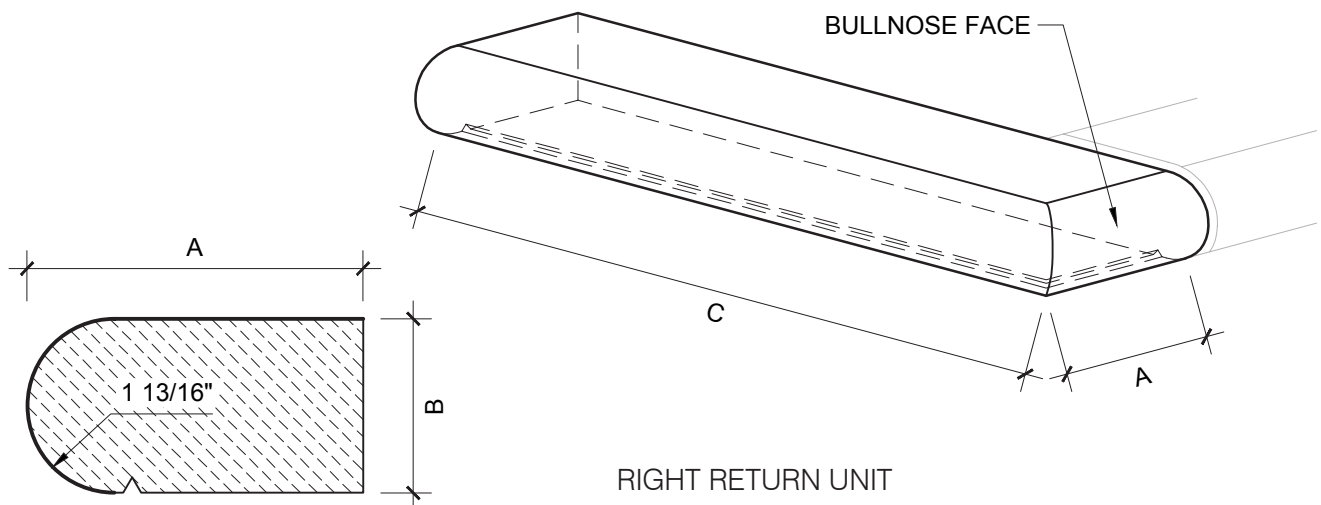
# Right Bullnose Sill Returns

PC. MK	A	B	C
BNS RT 72	9"	7 - 5/8"	23 - 5/8"
BNS RT 73	9"	7 - 5/8"	31 - 5/8"
BNS RT 74	9"	7 - 5/8"	47 - 5/8"



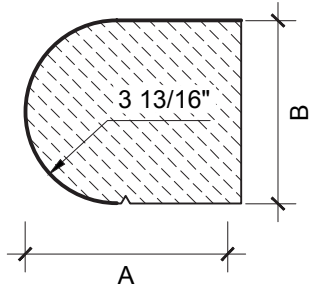
# Right Bullnose Sill Returns

PC. MK	A	B	C
BNS RT 33	7"	3 - 5/8"	31 - 5/8"
BNS RT 34	7"	3 - 5/8"	47 - 5/8"

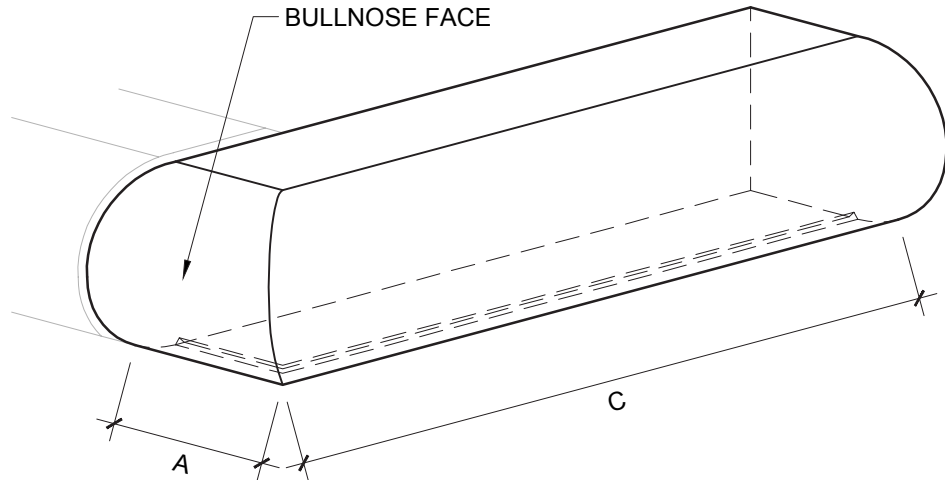


# Left Bullnose Sill Returns

PC. MK	A	B	C
BNS LT 72	9"	7 - 5/8"	23 - 5/8"
BNS LT 73	9"	7 - 5/8"	31 - 5/8"
BNS LT 74	9"	7 - 5/8"	47 - 5/8"

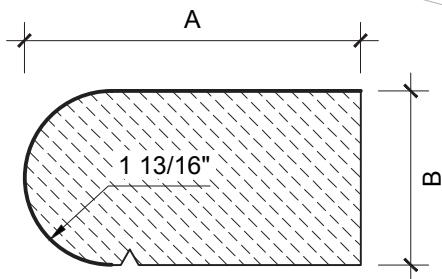


LEFT RETURN UNIT

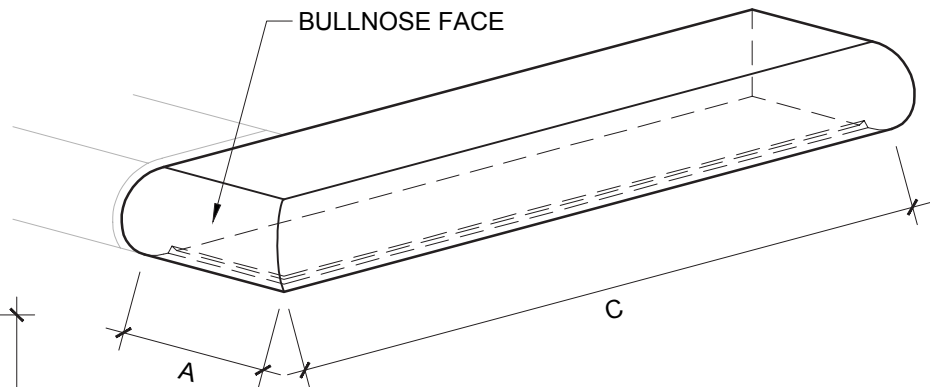


# Left Bullnose Sill Returns

PC. MK	A	B	C
BNS LT 33	7"	3 - 5/8"	31 - 5/8"
BNS LT 34	7"	3 - 5/8"	47 - 5/8"

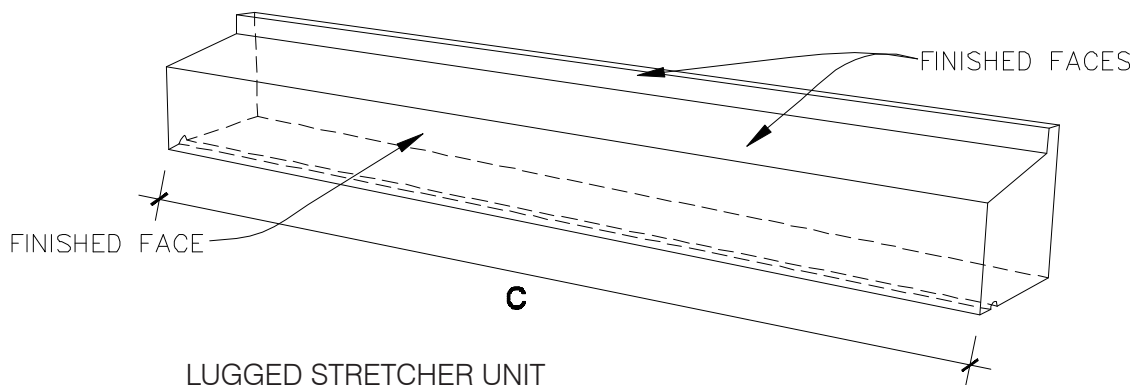
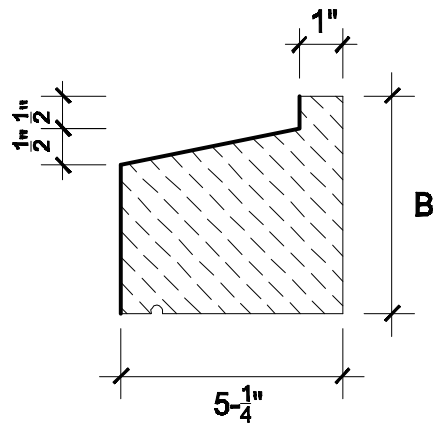


LEFT RETURN UNIT



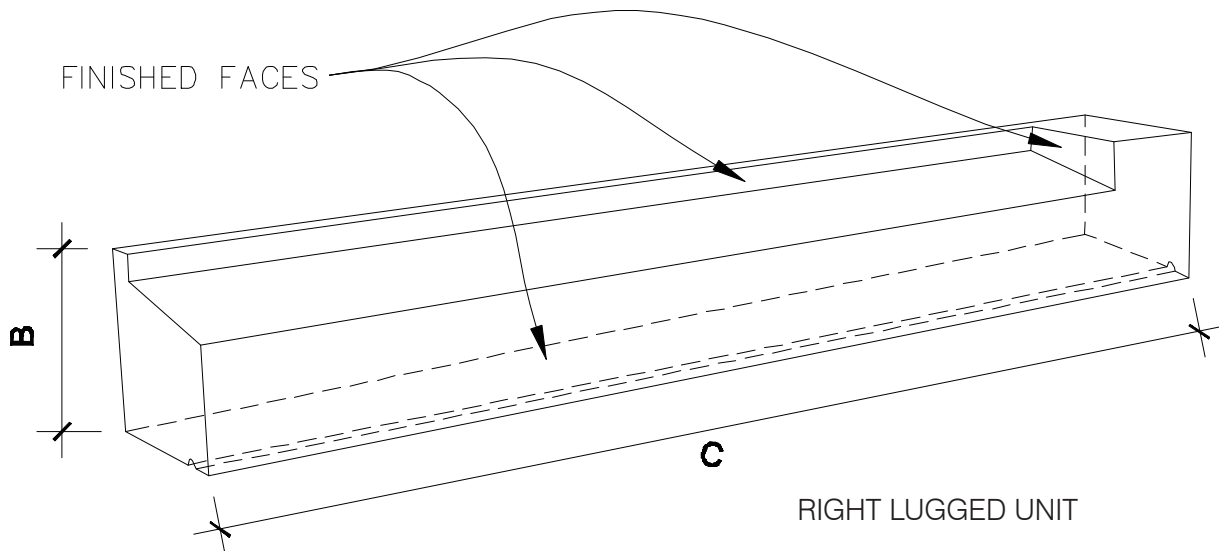
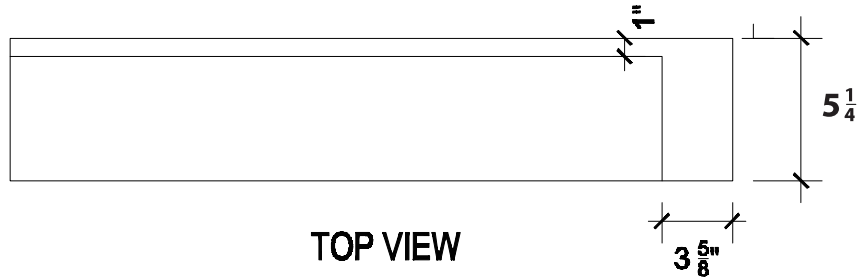
# Lugged Sills

PC. MK	A	B	C
LUG 33	5 - 1/4"	3 - 5/8"	31 - 5/8"
LUG 34	5 - 1/4"	3 - 5/8"	47 - 5/8"
LUG 53	5 - 1/4"	5 - 1/4"	31 - 5/8"
LUG 54	5 - 1/4"	5 - 1/4"	47 - 5/8"
LUG 73	5 - 1/4"	7 - 5/8"	31 - 5/8"
LUG 74	5 - 1/4"	7 - 5/8"	47 - 5/8"
LUG 103	5 - 1/4"	10 - 1/4"	31 - 5/8"
LUG 104	5 - 1/4"	10 - 1/4"	47 - 5/8"
LUG 113	5 - 1/4"	11 - 5/8"	31 - 5/8"
LUG 114	5 - 1/4"	11 - 5/8"	47 - 5/8"
LUG 153	5 - 1/4"	15 - 5/8"	31 - 5/8"
LUG 154	5 - 1/4"	15 - 5/8"	47 - 5/8"



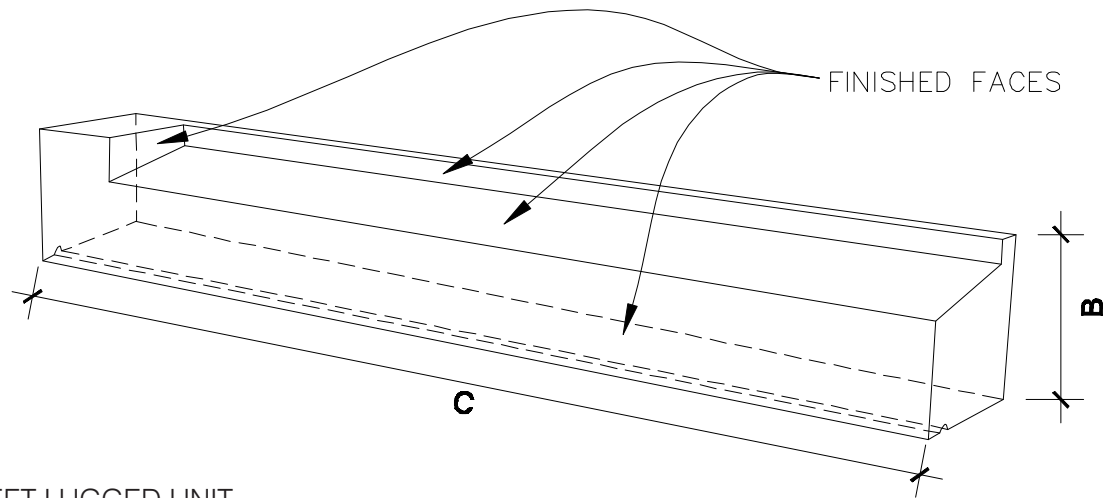
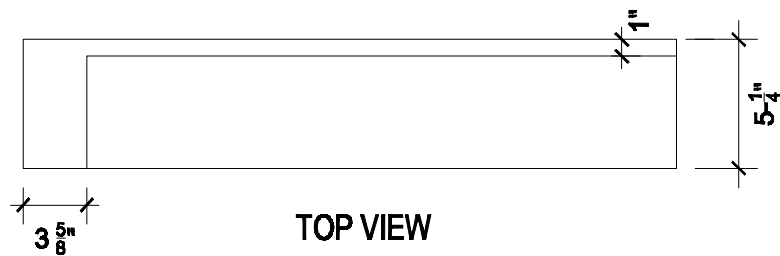
# Right Lugged Sill Ends

PC. MK	A	B	C
LUG RT 33	5 - 1/4"	3 - 5/8"	31 - 5/8"
LUG RT 34	5 - 1/4"	3 - 5/8"	47 - 5/8"
LUG RT 53	5 - 1/4"	5 - 1/4"	31 - 5/8"
LUG RT 54	5 - 1/4"	5 - 1/4"	47 - 5/8"
LUG RT 73	5 - 1/4"	7 - 5/8"	31 - 5/8"
LUG RT 74	5 - 1/4"	7 - 5/8"	47 - 5/8"
LUG RT 103	5 - 1/4"	10 - 1/4"	31 - 5/8"
LUG RT 104	5 - 1/4"	10 - 1/4"	47 - 5/8"
LUG RT 113	5 - 1/4"	11 - 5/8"	31 - 5/8"
LUG RT 114	5 - 1/4"	11 - 5/8"	47 - 5/8"
LUG RT 153	5 - 1/4"	15 - 5/8"	31 - 5/8"
LUG RT 154	5 - 1/4"	15 - 5/8"	47 - 5/8"



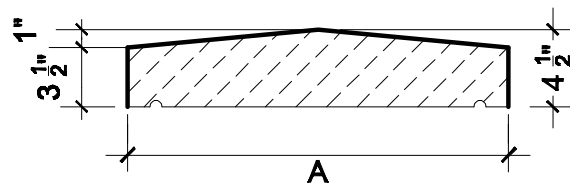
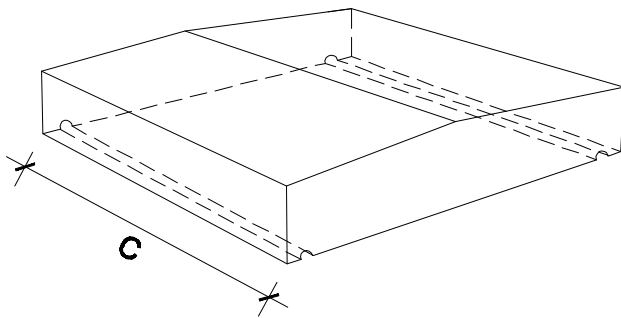
# Left Lugged Sill Ends

PC. MK	A	B	C
LUG LT 33	5 - 1/4"	3 - 5/8"	31 - 5/8"
LUG LT 34	5 - 1/4"	3 - 5/8"	47 - 5/8"
LUG LT 53	5 - 1/4"	5 - 1/4"	31 - 5/8"
LUG LT 54	5 - 1/4"	5 - 1/4"	47 - 5/8"
LUG LT 73	5 - 1/4"	7 - 5/8"	31 - 5/8"
LUG LT 74	5 - 1/4"	7 - 5/8"	47 - 5/8"
LUG LT 103	5 - 1/4"	10 - 1/4"	31 - 5/8"
LUG LT 104	5 - 1/4"	10 - 1/4"	47 - 5/8"
LUG LT 113	5 - 1/4"	11 - 5/8"	31 - 5/8"
LUG LT 114	5 - 1/4"	11 - 5/8"	47 - 5/8"
LUG LT 153	5 - 1/4"	15 - 5/8"	31 - 5/8"
LUG LT 154	5 - 1/4"	15 - 5/8"	47 - 5/8"



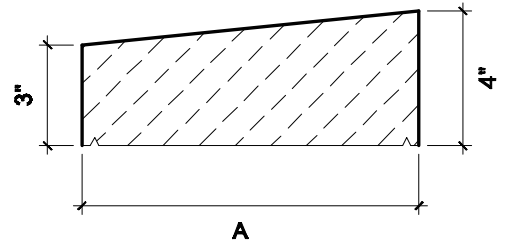
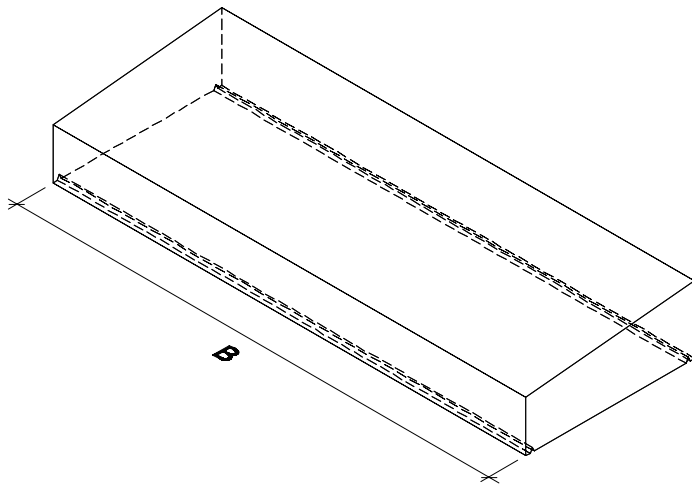
# Double Sloped Wall Caps

PC MK	A	SIDE HT	PEAK HT	C
WC2 83	8"	3 - 1/2"	1"	31 - 5/8"
WC2 84	8"	3 - 1/2"	1"	47 - 5/8"
WC2 103	10"	3 - 1/2"	1"	31 - 5/8"
WC2 104	10"	3 - 1/2"	1"	47 - 5/8"
WC2 123	12"	3 - 1/2"	1"	31 - 5/8"
WC2 124	12"	3 - 1/2"	1"	47 - 5/8"
WC2 143	14"	3 - 1/2"	1"	31 - 5/8"
WC2 144	14"	3 - 1/2"	1"	47 - 5/8"
WC2 163	16"	3 - 1/2"	1"	31 - 5/8"
WC2 164	16"	3 - 1/2"	1"	47 - 5/8"
WC2 183	18"	3 - 1/2"	1"	31 - 5/8"
WC2 184	18"	3 - 1/2"	1"	47 - 5/8"
WC2 203	20"	3 - 1/2"	1"	31 - 5/8"
WC2 204	20"	3 - 1/2"	1"	47 - 5/8"



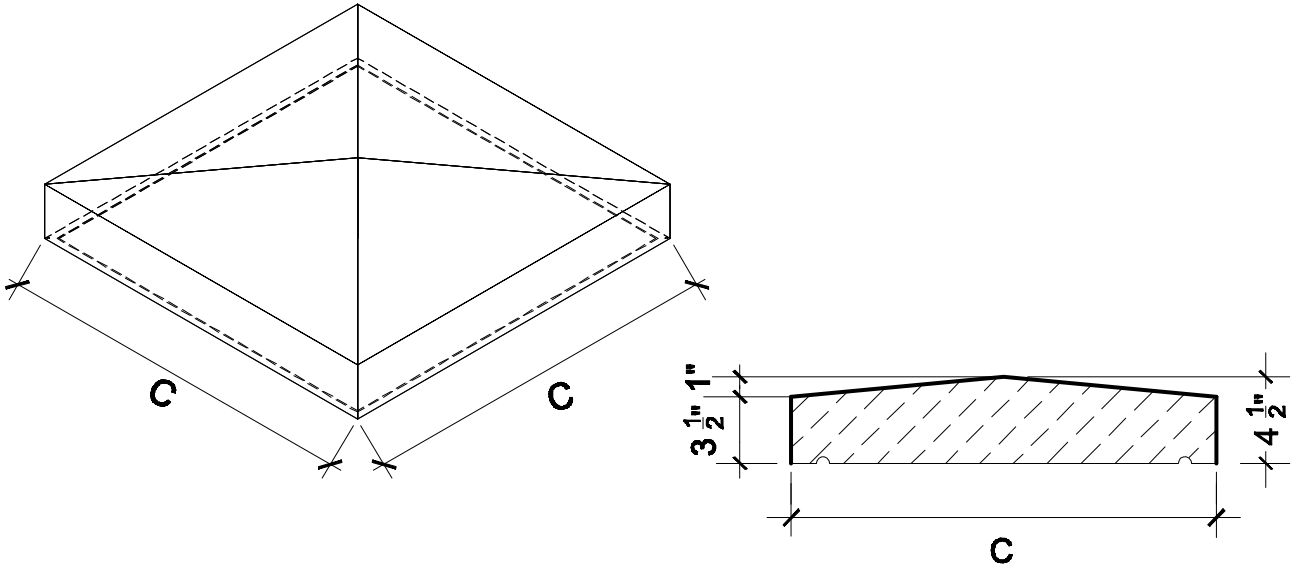
# Single Sloped Wall Caps

PC MK	A	B
WC1 103	10"	31 - 5/8"
WC1 104	10"	47 - 5/8"
WC1 123	12"	31 - 5/8"
WC1 124	12"	47 - 5/8"
WC1 143	14"	31 - 5/8"
WC1 144	14"	47 - 5/8"
WC1 163	16"	31 - 5/8"
WC1 164	16"	47 - 5/8"
WC1 183	18"	31 - 5/8"
WC1 184	18"	47 - 5/8"
WC1 203	20"	31 - 5/8"
WC1 204	20"	47 - 5/8"



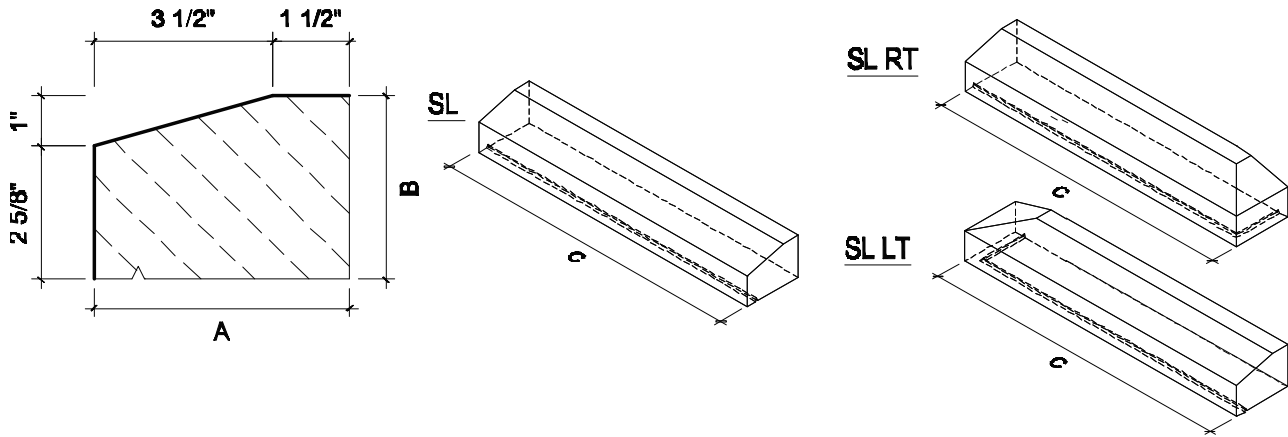
# Pier Caps

PC MK	SIDE HT	PEAK HT	C
CAP 20	3 - 1/2"	1"	20"
CAP 24	3 - 1/2"	1"	24"
CAP 32	3-1/2"	1"	32"

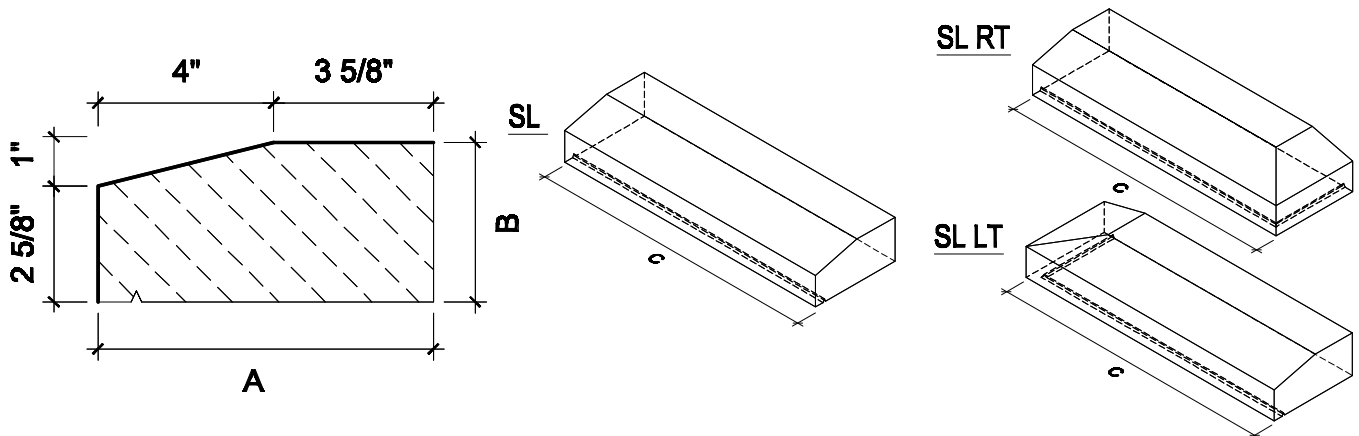


# Sills

PC MK	A	B	C
SL 43	5"	3 - 5/8"	31 - 5/8"
SL 44	5"	3 - 5/8"	47 - 5/8"
SL RT 43	5"	3 - 5/8"	31 - 5/8"
SL RT 44	5"	3 - 5/8"	47 - 5/8"
SL LT 43	5"	3 - 5/8"	31 - 5/8"
SL LT 44	5"	3 - 5/8"	47 - 5/8"

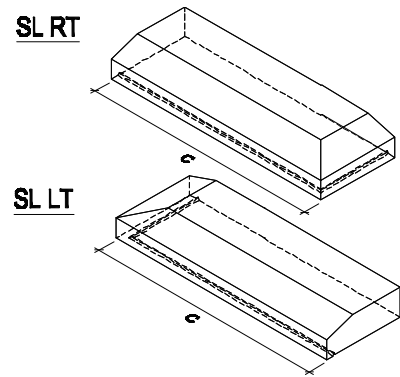
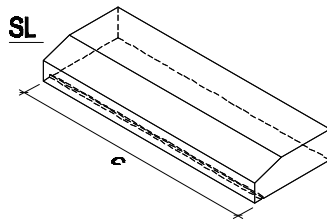
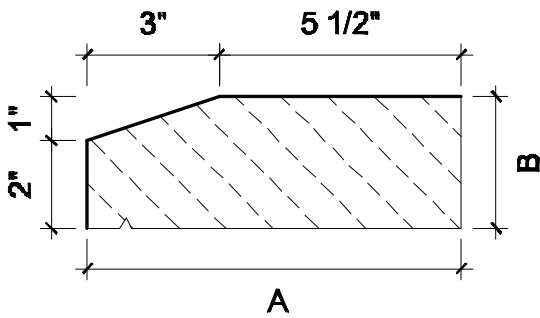


PC MK	A	B	C
SL 383	7 - 5/8"	3 - 5/8"	31 - 5/8"
SL 384	7 - 5/8"	3 - 5/8"	47 - 5/8"
SL RT 383	7 - 5/8"	3 - 5/8"	31 - 5/8"
SL RT 384	7 - 5/8"	3 - 5/8"	47 - 5/8"
SLLT 383	7 - 5/8"	3 - 5/8"	31 - 5/8"
SL LT 384	7 - 5/8"	3 - 5/8"	47 - 5/8"

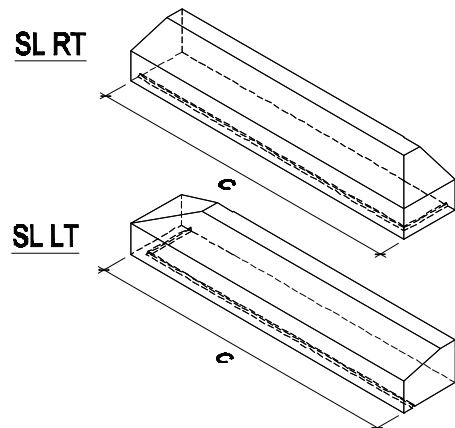
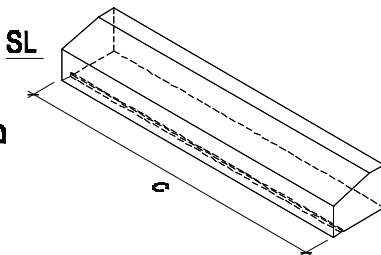
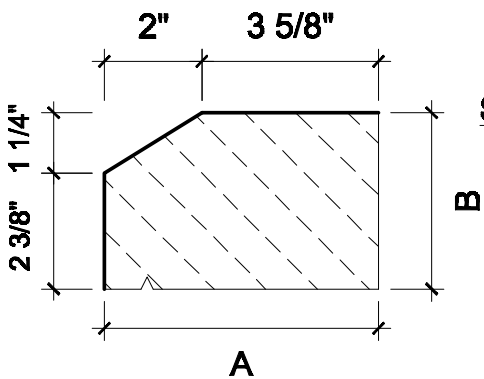


# Sills

PC MK	A	B	C
SL 393	8 - 1/2"	3"	31 - 5/8"
SL 394	8 - 1/2"	3"	47 - 5/8"
SL RT 393	8 - 1/2"	3"	31 - 5/8"
SL RT 394	8 - 1/2"	3"	47 - 5/8"
SL LT 393	8 - 1/2"	3"	31 - 5/8"
SL LT 394	8 - 1/2"	3"	47 - 5/8"

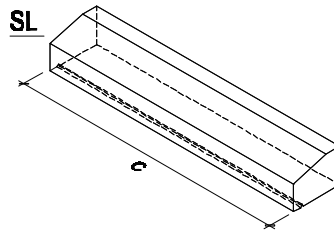
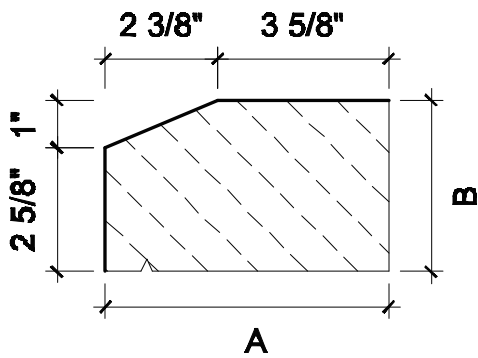


PC MK	A	B	C
SL 463	5 - 5/8"	3 - 5/8"	31 - 5/8"
SL 464	5 - 5/8"	3 - 5/8"	47 - 5/8"
SL RT 463	5 - 5/8"	3 - 5/8"	31 - 5/8"
SL RT 464	5 - 5/8"	3 - 5/8"	47 - 5/8"
SL LT 463	5 - 5/8"	3 - 5/8"	31 - 5/8"
SL LT 464	5 - 5/8"	3 - 5/8"	47 - 5/8"

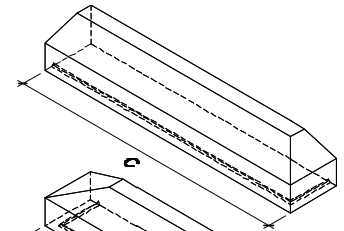


# Sills

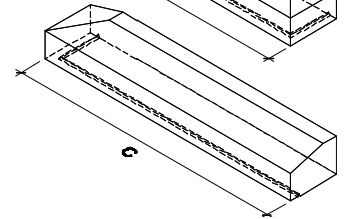
PC MK	A	B	C
SL 483	6"	3 - 5/8"	31 - 5/8"
SL 484	6"	3 - 5/8"	47 - 5/8"
SL RT 483	6"	3 - 5/8"	31 - 5/8"
SL RT 484	6"	3 - 5/8"	47 - 5/8"
SL LT 483	6"	3 - 5/8"	31 - 5/8"
SL LT 484	6"	3 - 5/8"	47 - 5/8"



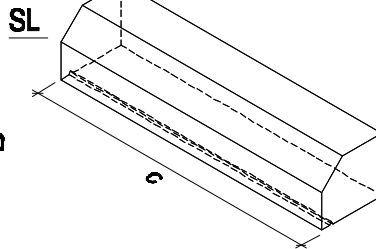
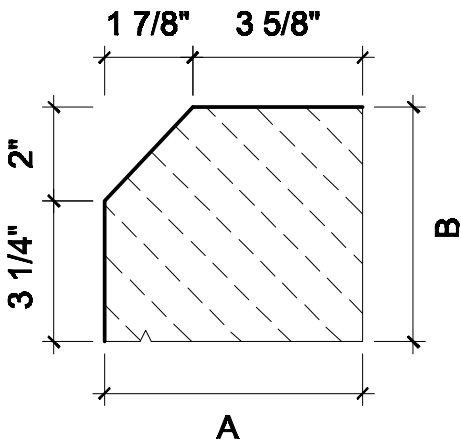
SL RT



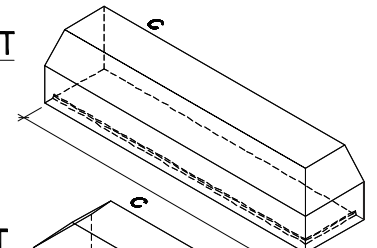
SL LT



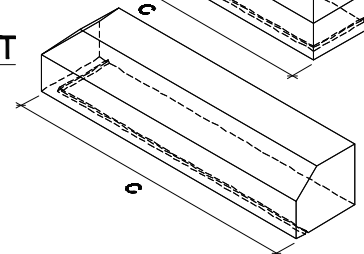
PC MK	A	B	C
SL 553	5 - 1/2"	5-1/4"	31 - 5/8"
SL 554	5 - 1/2"	5-1/4"	47 - 5/8"
SL RT 553	5 - 1/2"	5-1/4"	31 - 5/8"
SL RT 554	5 - 1/2"	5-1/4"	47 - 5/8"
SL LT 553	5 - 1/2"	5-1/4"	31 - 5/8"
SL LT 554	5 - 1/2"	5-1/4"	47 - 5/8"



SL RT

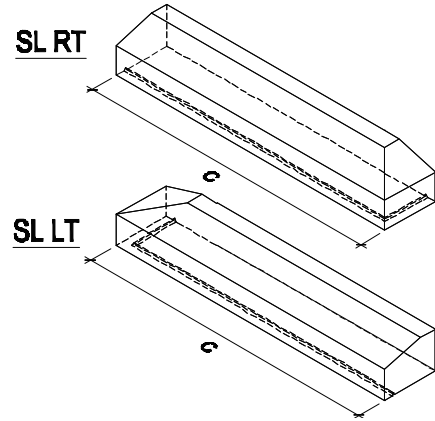
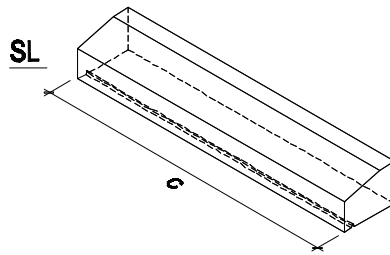
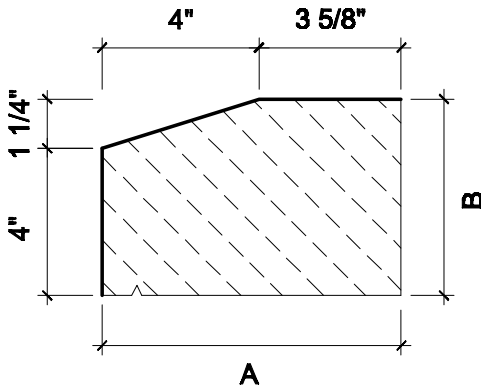


SL LT

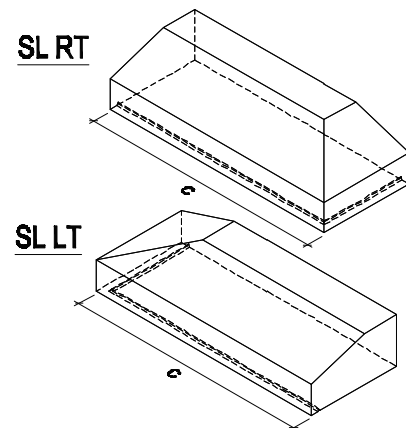
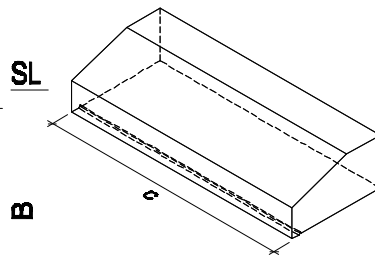
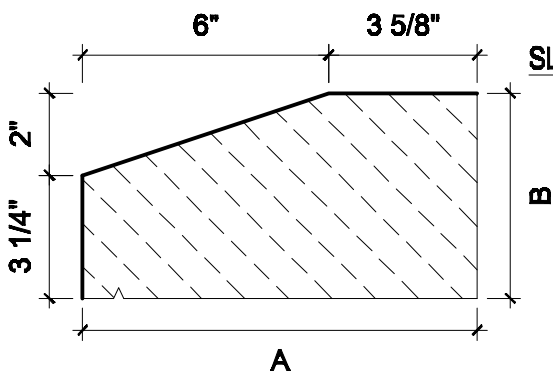


# Sills

PC MK	A	B	C
SL 583	7 - 5/8"	5-1/4"	31 - 5/8"
SL 584	7 - 5/8"	5-1/4"	47 - 5/8"
SL RT 583	7 - 5/8"	5-1/4"	31 - 5/8"
SL RT 584	7 - 5/8"	5-1/4"	47 - 5/8"
SL LT 583	7 - 5/8"	5-1/4"	31 - 5/8"
SL LT 584	7 - 5/8"	5-1/4"	47 - 5/8"

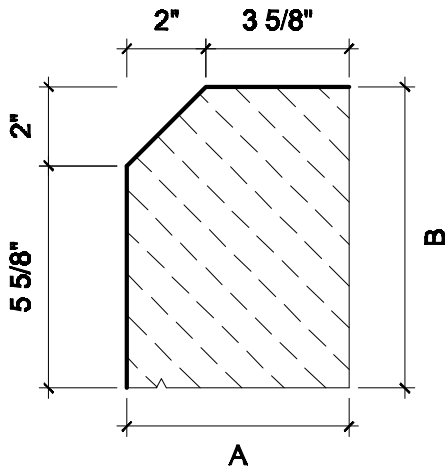


PC MK	A	B	C
SL 593	9 - 5/8"	5-1/4"	31 - 5/8"
SL 594	9 - 5/8"	5-1/4"	47 - 5/8"
SL RT 593	9 - 5/8"	5-1/4"	31 - 5/8"
SL RT 594	9 - 5/8"	5-1/4"	47 - 5/8"
SL LT 593	9 - 5/8"	5-1/4"	31 - 5/8"
SL LT 594	9 - 5/8"	5-1/4"	47 - 5/8"

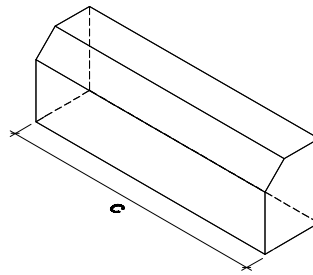


# Sills

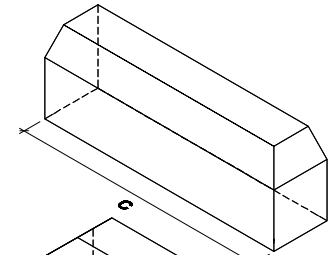
PC MK	A	B	C
SL 862	5 - 5/8"	7 - 5/8"	23 - 5/8"
SL 863	5 - 5/8"	7 - 5/8"	31 - 5/8"
SL 864	5 - 5/8"	7 - 5/8"	47 - 5/8"
SL RT 862	5 - 5/8"	7 - 5/8"	23 - 5/8"
SL RT 863	5 - 5/8"	7 - 5/8"	31 - 5/8"
SL RT 864	5 - 5/8"	7 - 5/8"	47 - 5/8"
SL LT 862	5 - 5/8"	7 - 5/8"	23 - 5/8"
SL LT 863	5 - 5/8"	7 - 5/8"	31 - 5/8"
SL LT 864	5 - 5/8"	7 - 5/8"	47 - 5/8"



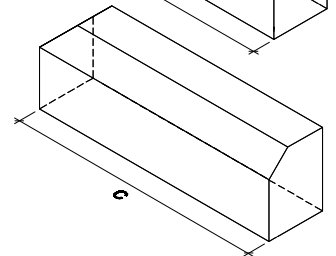
WT



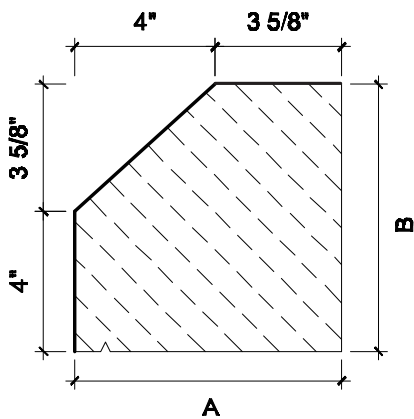
WT RT



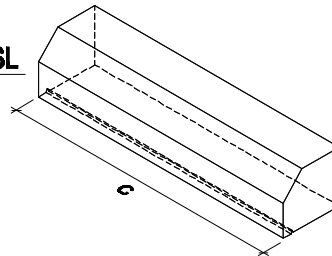
WT LT



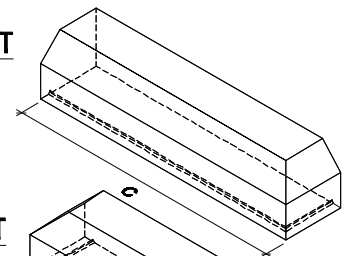
PC MK	A	B	C
SL 882	7 - 5/8"	7 - 5/8"	23 - 5/8"
SL 883	7 - 5/8"	7 - 5/8"	31 - 5/8"
SL 884	7 - 5/8"	7 - 5/8"	47 - 5/8"
SL RT 882	7 - 5/8"	7 - 5/8"	23 - 5/8"
SL RT 883	7 - 5/8"	7 - 5/8"	31 - 5/8"
SL RT 884	7 - 5/8"	7 - 5/8"	47 - 5/8"
SL LT 882	7 - 5/8"	7 - 5/8"	23 - 5/8"
SL LT 883	7 - 5/8"	7 - 5/8"	31 - 5/8"
SL LT 884	7 - 5/8"	7 - 5/8"	47 - 5/8"



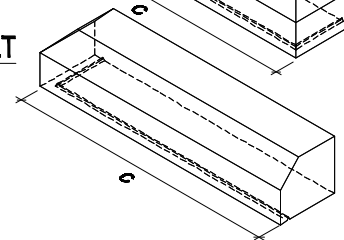
SL



SL RT

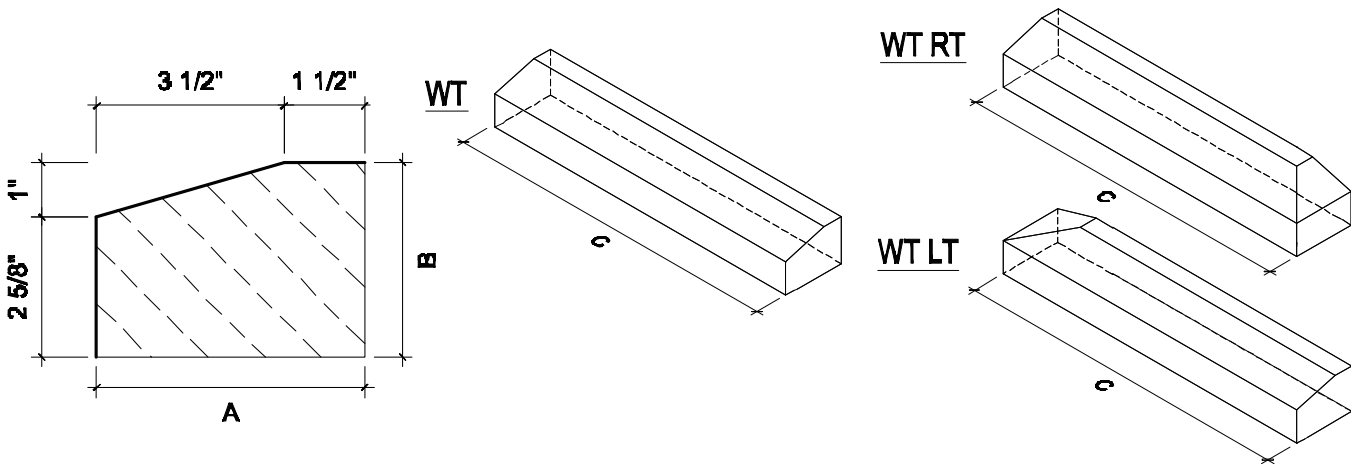


SL LT

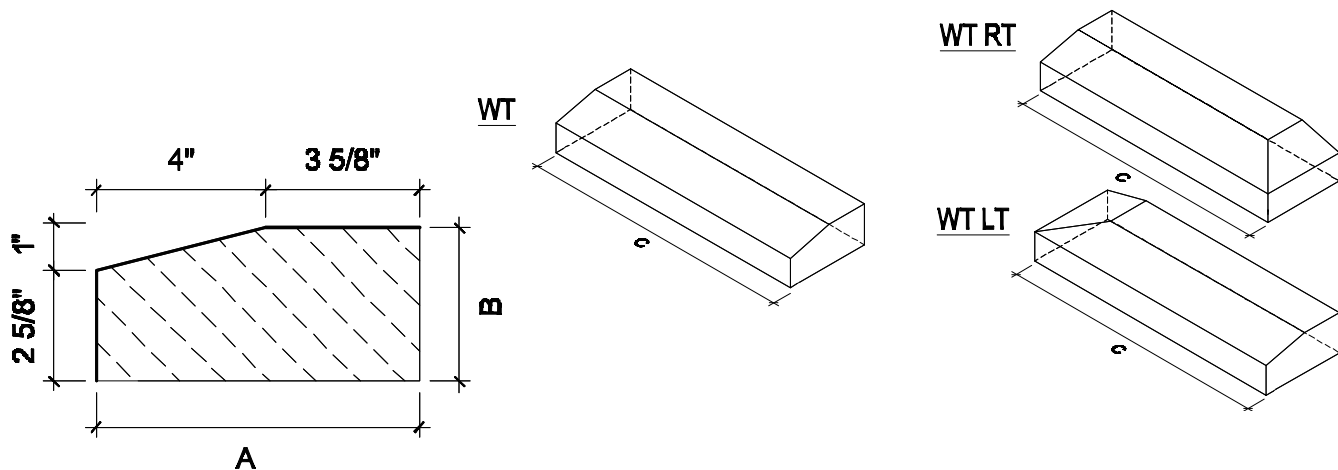


# Watertables

PC MK	A	B	C
WT 43	5"	3 - 5/8"	31 - 5/8"
WT 44	5"	3 - 5/8"	47 - 5/8"
WT RT 43	5"	3 - 5/8"	31 - 5/8"
WT RT 44	5"	3 - 5/8"	47 - 5/8"
WT LT 43	5"	3 - 5/8"	31 - 5/8"
WT LT 44	5"	3 - 5/8"	47 - 5/8"

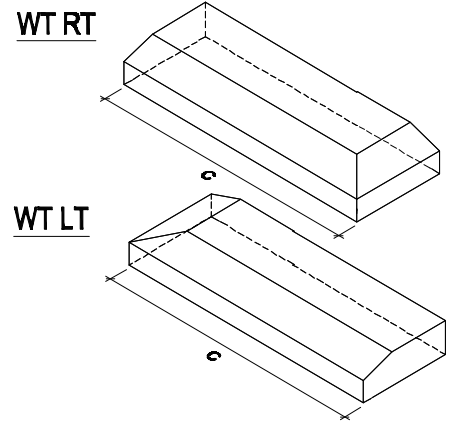
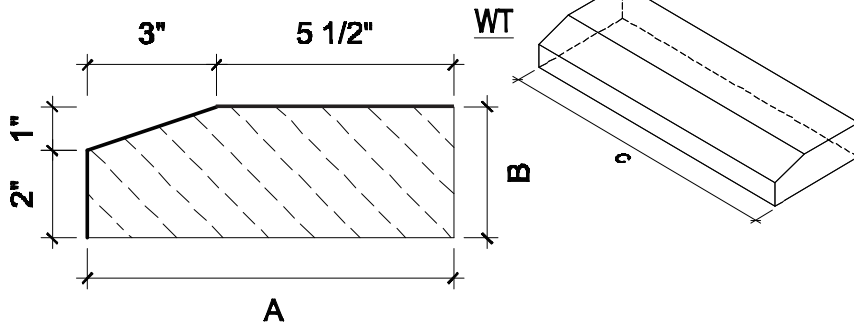


PC MK	A	B	C
WT 383	7 - 5/8"	3 - 5/8"	31 - 5/8"
WT 384	7 - 5/8"	3 - 5/8"	47 - 5/8"
WT RT 383	7 - 5/8"	3 - 5/8"	31 - 5/8"
WT RT 384	7 - 5/8"	3 - 5/8"	47 - 5/8"
WT LT 383	7 - 5/8"	3 - 5/8"	31 - 5/8"
WT LT 384	7 - 5/8"	3 - 5/8"	47 - 5/8"

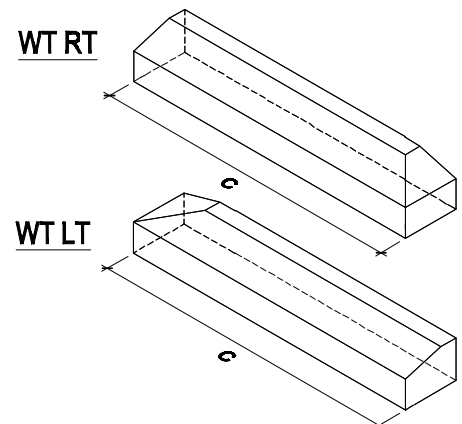
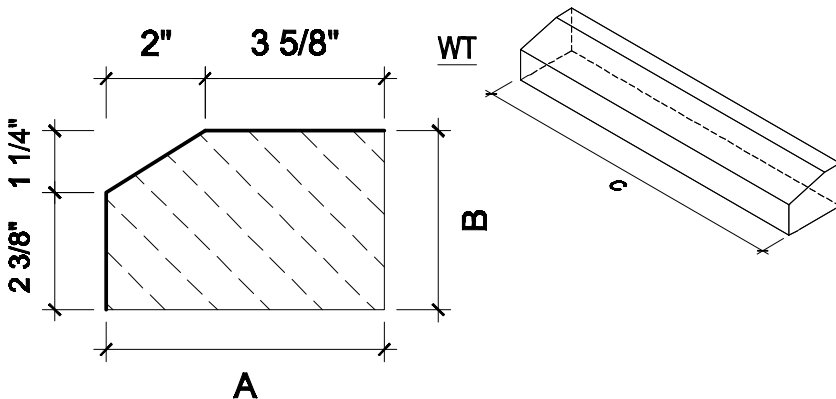


# Watertables

PC MK	A	B	C
WT 392	8 - 1/2"	3"	23 - 5/8"
WT 393	8 - 1/2"	3"	31 - 5/8"
WT 394	8 - 1/2"	3"	47 - 5/8"
WT RT 392	8 - 1/2"	3"	23 - 5/8"
WT RT 393	8 - 1/2"	3"	31 - 5/8"
WT RT 394	8 - 1/2"	3"	47 - 5/8"
WT LT 392	8 - 1/2"	3"	23 - 5/8"
WT LT 393	8 - 1/2"	3"	31 - 5/8"
WT LT 394	8 - 1/2"	3"	47 - 5/8"

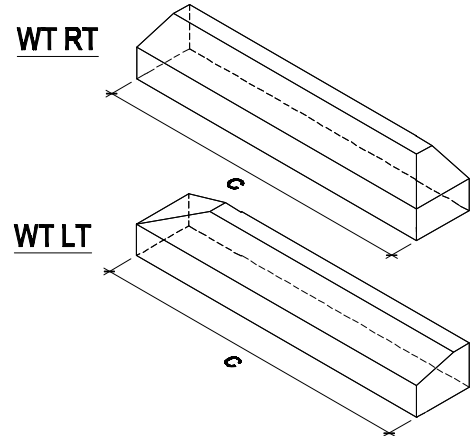
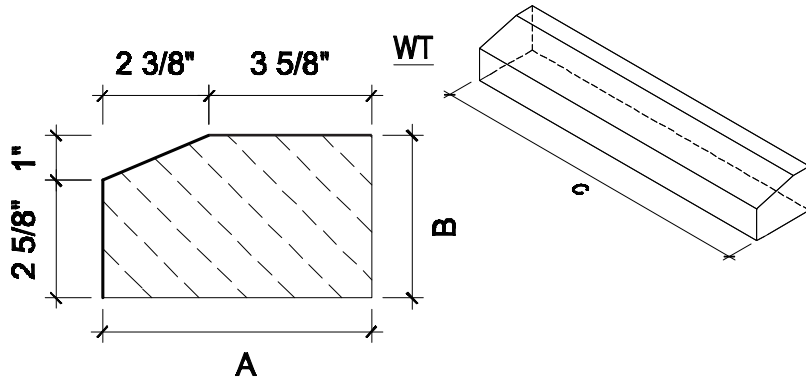


PC MK	A	B	C
WT 463	5 - 5/8"	3 - 5/8"	31 - 5/8"
WT 464	5 - 5/8"	3 - 5/8"	47 - 5/8"
WT RT 463	5 - 5/8"	3 - 5/8"	31 - 5/8"
WT RT 464	5 - 5/8"	3 - 5/8"	47 - 5/8"
WT LT 463	5 - 5/8"	3 - 5/8"	31 - 5/8"
WT LT 464	5 - 5/8"	3 - 5/8"	47 - 5/8"

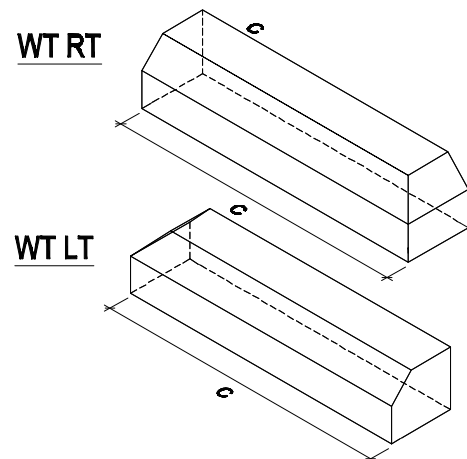
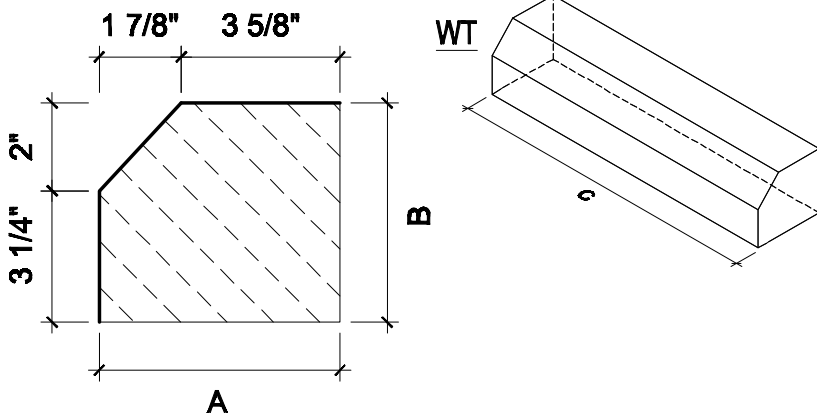


# Watertables

PC MK	A	B	C
WT 483	6"	3 - 5/8"	31 - 5/8"
WT 484	6"	3 - 5/8"	47 - 5/8"
WT RT 483	6"	3 - 5/8"	31 - 5/8"
WT RT 484	6"	3 - 5/8"	47 - 5/8"
WT LT 483	6"	3 - 5/8"	31 - 5/8"
WT LT 484	6"	3 - 5/8"	47 - 5/8"

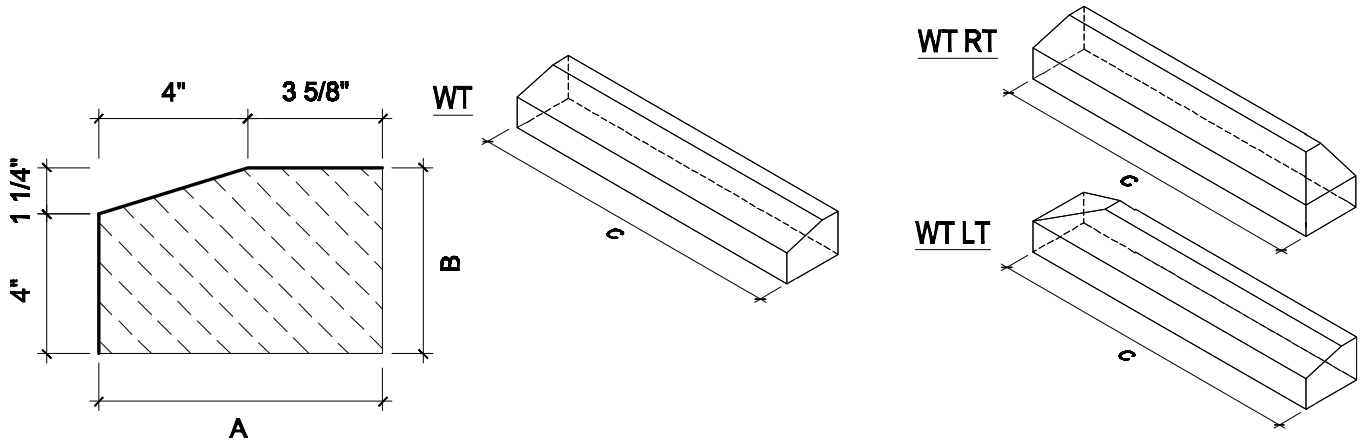


PC MK	A	B	C
WT 553	5 - 1/2"	5-1/4"	31 - 5/8"
WT 554	5 - 1/2"	5-1/4"	47 - 5/8"
WT RT 553	5 - 1/2"	5-1/4"	31 - 5/8"
WT RT 554	5 - 1/2"	5-1/4"	47 - 5/8"
WT LT 553	5 - 1/2"	5-1/4"	31 - 5/8"
WT LT 554	5 - 1/2"	5-1/4"	47 - 5/8"

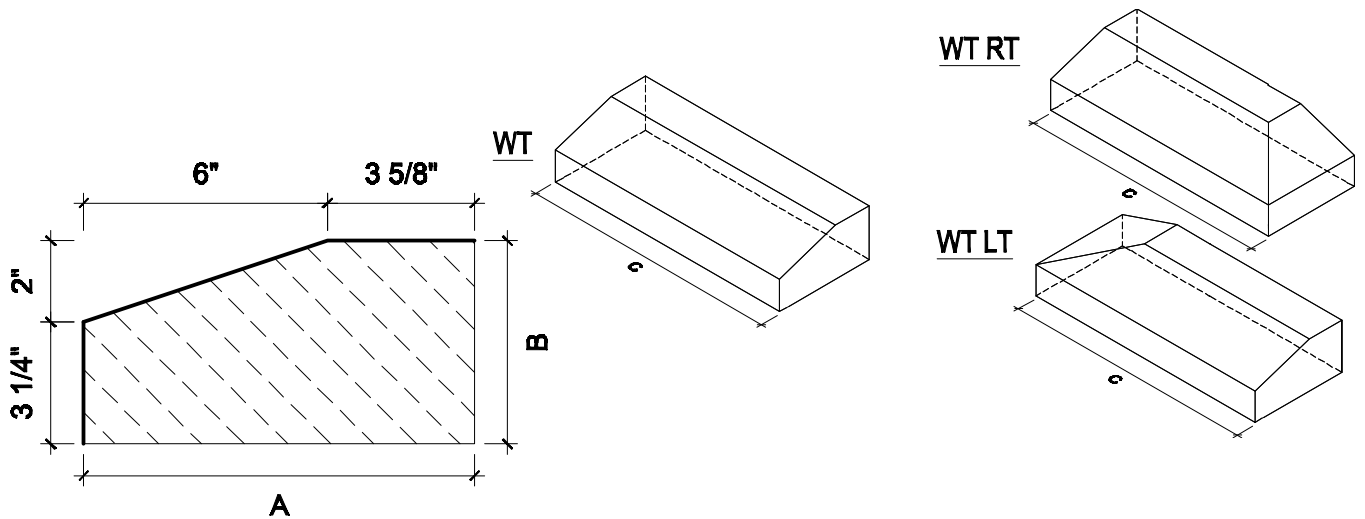


# Watertables

PC MK	A	B	C
WT 583	7 - 5/8"	5-1/4"	31 - 5/8"
WT 584	7 - 5/8"	5-1/4"	47 - 5/8"
WT RT 583	7 - 5/8"	5-1/4"	31 - 5/8"
WT RT 584	7 - 5/8"	5-1/4"	47 - 5/8"
WT LT 583	7 - 5/8"	5-1/4"	31 - 5/8"
WT LT 584	7 - 5/8"	5-1/4"	47 - 5/8"

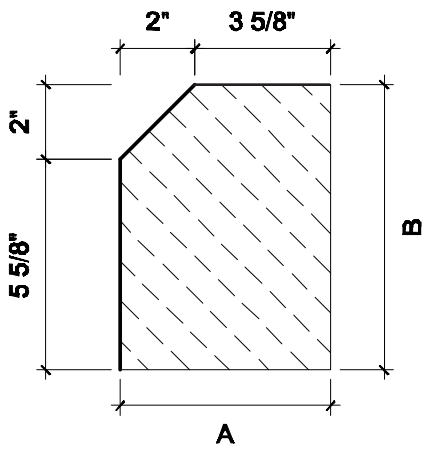


PC MK	A	B	C
WT 593	9 - 5/8"	5-1/4"	31 - 5/8"
WT 594	9 - 5/8"	5-1/4"	47 - 5/8"
WT RT 593	9 - 5/8"	5-1/4"	31 - 5/8"
WT RT 594	9 - 5/8"	5-1/4"	47 - 5/8"
WT LT 593	9 - 5/8"	5-1/4"	31 - 5/8"
WT LT 594	9 - 5/8"	5-1/4"	47 - 5/8"

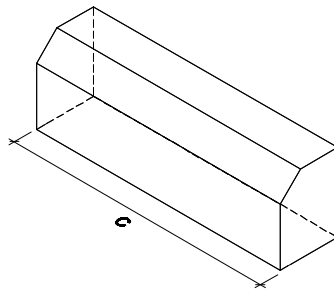


# Watertables

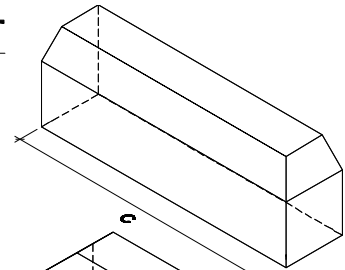
PC MK	A	B	C
WT 862	5 - 5/8"	7 - 5/8"	23 - 5/8"
WT 863	5 - 5/8"	7 - 5/8"	31 - 5/8"
WT 864	5 - 5/8"	7 - 5/8"	47 - 5/8"
WT RT 862	5 - 5/8"	7 - 5/8"	23 - 5/8"
WT RT 863	5 - 5/8"	7 - 5/8"	31 - 5/8"
WT RT 864	5 - 5/8"	7 - 5/8"	47 - 5/8"
WT LT 862	5 - 5/8"	7 - 5/8"	23 - 5/8"
WT LT 863	5 - 5/8"	7 - 5/8"	31 - 5/8"
WT LT 864	5 - 5/8"	7 - 5/8"	47 - 5/8"



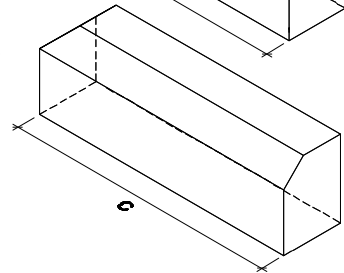
WT



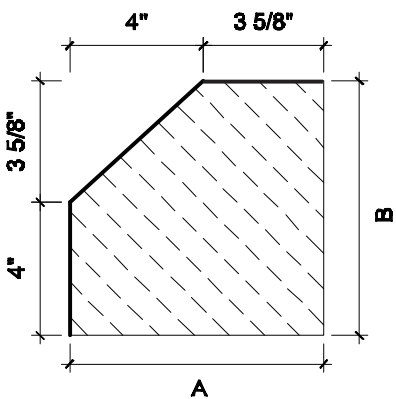
WT RT



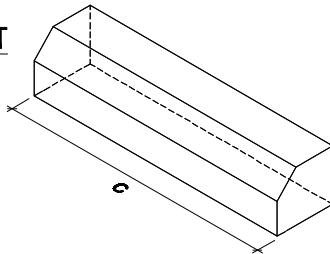
WT LT



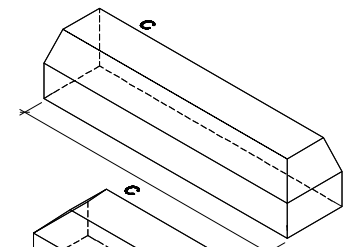
PC MK	A	B	C
WT 882	7 - 5/8"	7 - 5/8"	23 - 5/8"
WT 883	7 - 5/8"	7 - 5/8"	31 - 5/8"
WT 884	7 - 5/8"	7 - 5/8"	47 - 5/8"
WT RT 882	7 - 5/8"	7 - 5/8"	23 - 5/8"
WT RT 883	7 - 5/8"	7 - 5/8"	31 - 5/8"
WT RT 884	7 - 5/8"	7 - 5/8"	47 - 5/8"
WT LT 882	7 - 5/8"	7 - 5/8"	23 - 5/8"
WT LT 883	7 - 5/8"	7 - 5/8"	31 - 5/8"
WT LT 884	7 - 5/8"	7 - 5/8"	47 - 5/8"



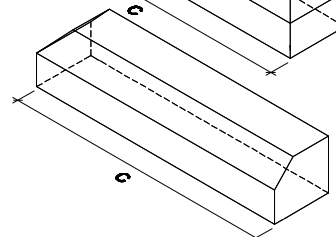
WT



WT RT

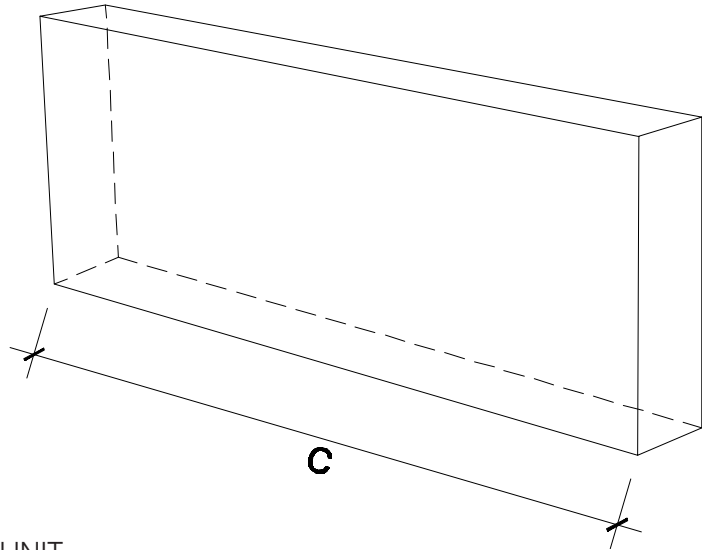
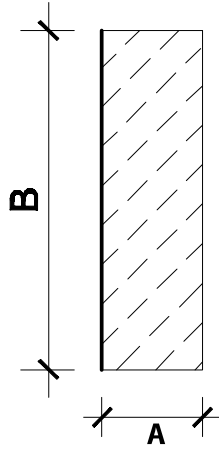


WT LT



# Stretchers

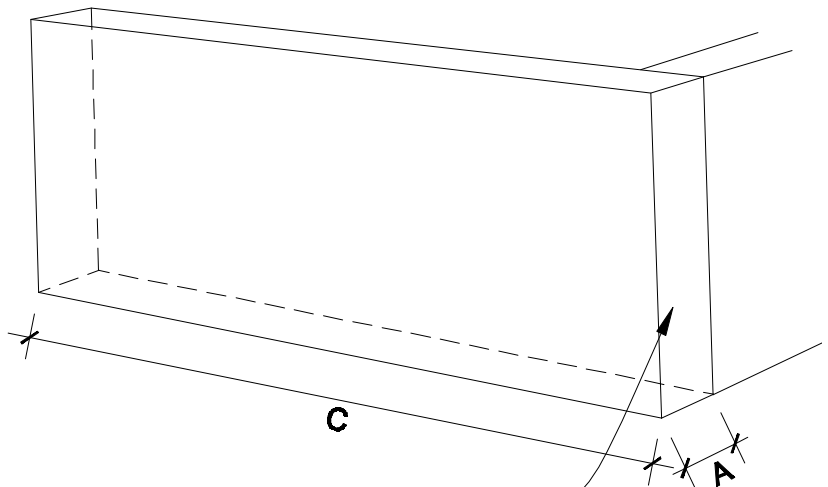
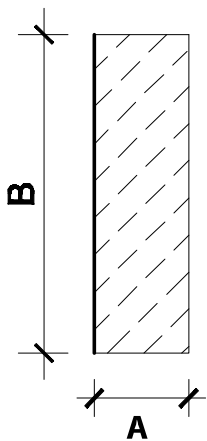
PC. MK	A	B	C
STR 153	3 - 5/8"	15 - 5/8"	31 - 5/8"
STR 154	3 - 5/8"	15 - 5/8"	47 - 5/8"
STR 4153	4 - 5/8"	15 - 5/8"	31 - 5/8"
STR 4154	4 - 5/8"	15 - 5/8"	47 - 5/8"



RIGHT RETURN UNIT

## Stretcher Finished End Unit

PC. MK	A	B	C
STR FIN 153	3 - 5/8"	15 - 5/8"	31 - 5/8"
STR FIN 154	3 - 5/8"	15 - 5/8"	47 - 5/8"
STR FIN 4153	4 - 5/8"	15 - 5/8"	31 - 5/8"
STR FIN 4154	4 - 5/8"	15 - 5/8"	47 - 5/8"

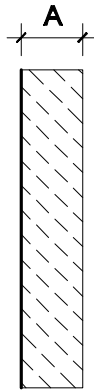
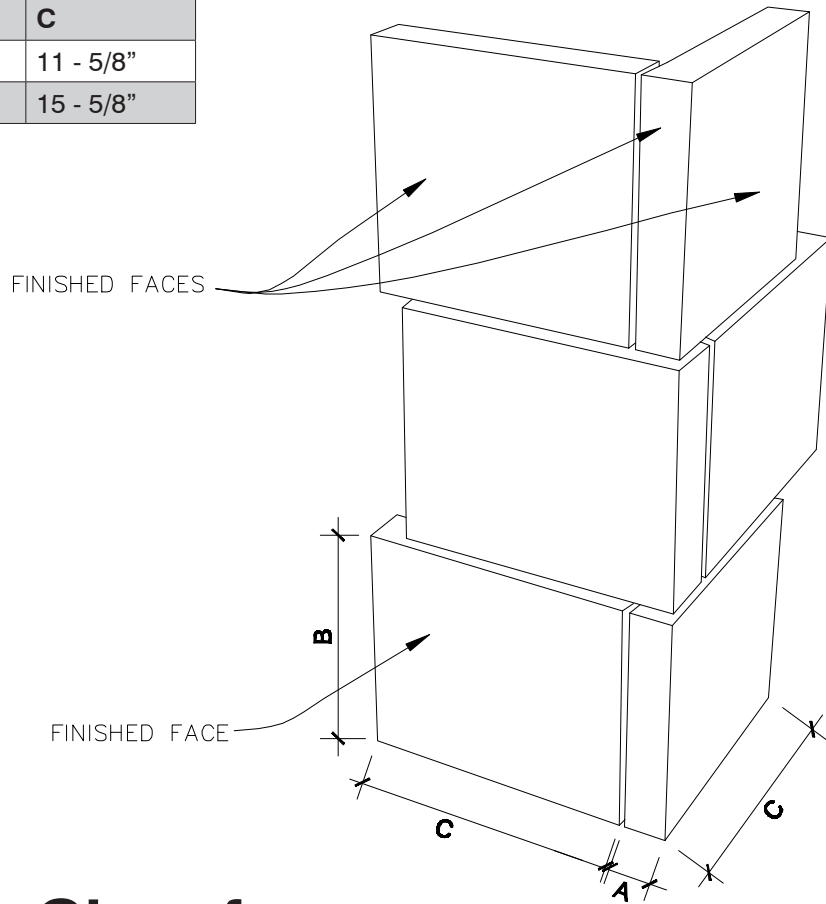


STRETCHER UNIT

FINISHED END

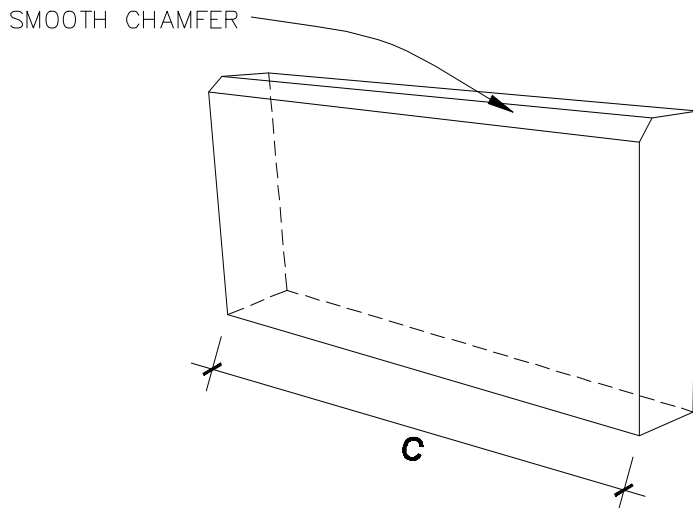
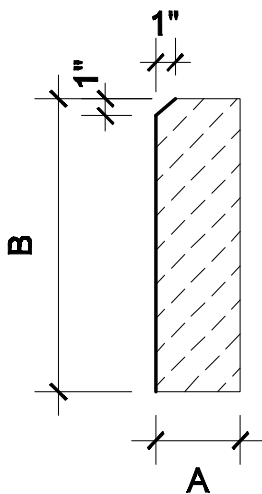
# Quoins

PC MK	A	B	C
QN 511	3 - 5/8"	15 - 5/8"	11 - 5/8"
QN 515	3 - 5/8"	15 - 5/8"	15 - 5/8"



# Chamfers

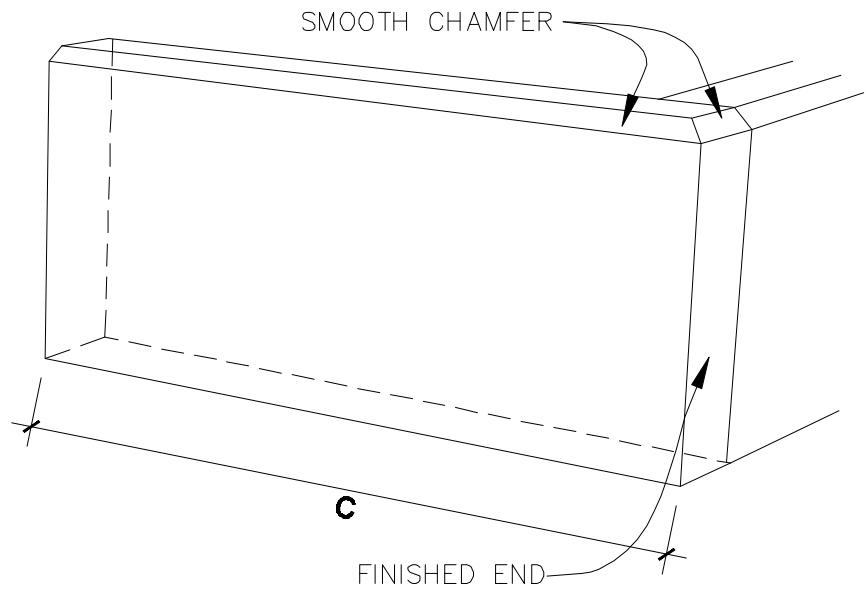
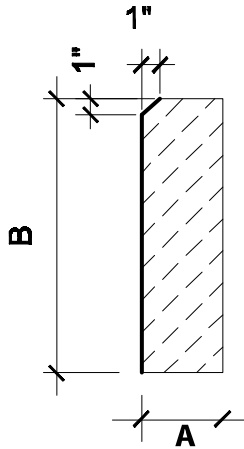
PC. MK	A	B	C
CHAM 153	3 - 5/8"	15 - 5/8"	31 - 5/8"
CHAM 154	3 - 5/8"	15 - 5/8"	47 - 5/8"
CHAM 4153	4 - 5/8"	15 - 5/8"	31 - 5/8"
CHAM 4154	4 - 5/8"	15 - 5/8"	47 - 5/8"



STRETCHER UNIT WITH CHAMFER

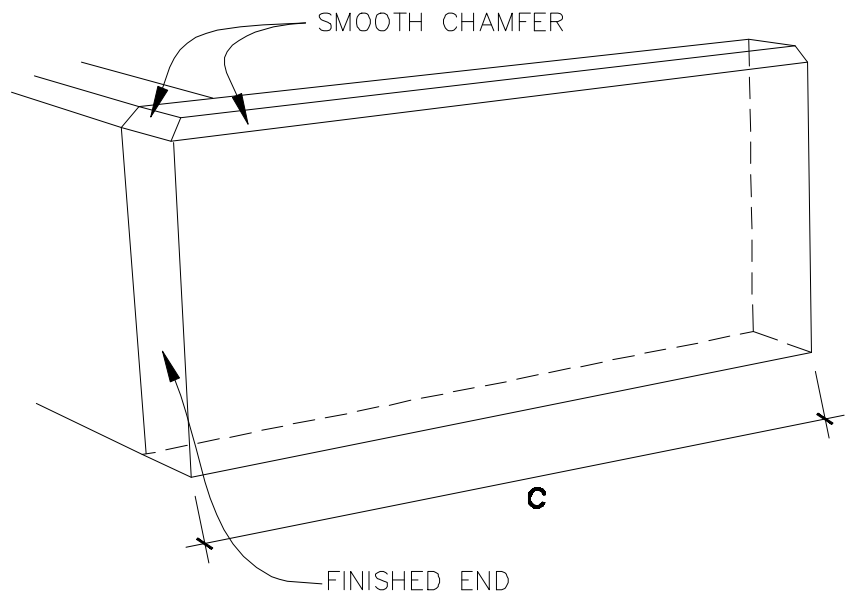
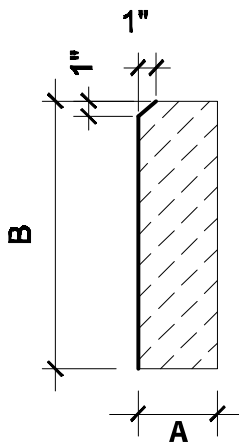
# Right Chamfer Returns

PC. MK	A	B	C
CHAM RT 153	3 - 5/8"	15 - 5/8"	31 - 5/8"
CHAM RT 154	3 - 5/8"	15 - 5/8"	47 - 5/8"
CHAM RT 4153	4 - 5/8"	15 - 5/8"	31 - 5/8"
CHAM RT 4154	4 - 5/8"	15 - 5/8"	47 - 5/8"



# Left Chamfer Returns

PC. MK	A	B	C
CHAM LT 153	3 - 5/8"	15 - 5/8"	31 - 5/8"
CHAM LT 154	3 - 5/8"	15 - 5/8"	47 - 5/8"
CHAM LT 4153	4 - 5/8"	15 - 5/8"	31 - 5/8"
CHAM LT 4154	4 - 5/8"	15 - 5/8"	47 - 5/8"





1-800-265-8123  
[www.arriscraft.com](http://www.arriscraft.com)  
[techservices@arriscraft.com](mailto:techservices@arriscraft.com)